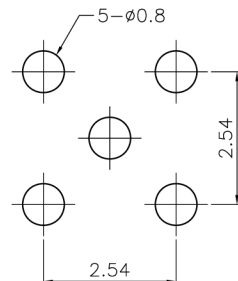
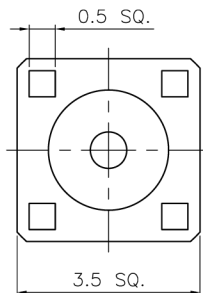
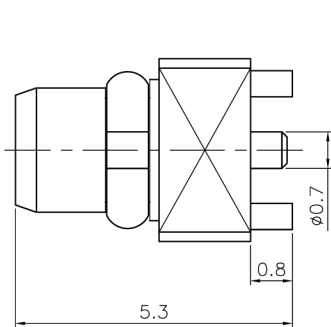


REVISIONS		
ISS	ZONE	DESCRIPTION\PER REQUEST\DATE

注意事項  
1 包裝方式: 500/盤 PVC



PCB MOUNTING HOLE  
(印刷電路板架設孔)

TYPICAL SPECIFICATIONS

1.0. ELECTRICAL

- 1.1. FREQUENCY RANGE: DC-6 GHz
- 1.2. NOMINAL IMPEDANCE: 50 OHM
- 1.3. WORKING VOLTAGE: 170 VOLTS MAX.
- 1.4. PROOF VOLTAGE: 500 VOLTS

2.0. MATERIALS

- 2.1. BODIES: BRASS PER JIS-C3604
- 2.2. CENTER CONTACT: BRASS PER JIS-C3604
- 2.3. INSULATION: PTFE PER ASTM D1457 AND ASTM D1710
- 2.4. RING: BERYLLIUM COPPER PER ASTM B196 UNS C17200

3.0. ENVIRONMENTAL

- 3.1. OPERATING TEMPERATURE RANGE: -55° C TO +155° C

4	RING	BE CU	GOLD	1	MMCX1121A1-4BEG
3	CONTACT PIN	BRASS	GOLD	1	MMCX1251C3-3G
2	INSULATOR	PTFE	WHITE	1	MMCX1251C1-2T-50
1	BODY	BRASS	GOLD	1	MMCX1251C3-1G
NO.	DESCRIPTION	MATERIAL	FINISH	Q'TY	DRAWING NO.

DIMENSIONS ARE IN MILLIMETERS

UNLESS OTHERWISE SPECIFIED TOLERANCES

- ANGLES = ±3'
- UP TO 6 = ±0.1
- 6-40 = ±0.2
- 40-120 = ±0.6
- 120-315 = ±1
- ABOVE 315 = ±1.6

SCALE/比例 10/1

APPROVED/核准

MARK

CHECKED/檢查

MARK

DRAWN/繪圖

MARK

FILE NO. F:\CAD\MMCX\1251C3\50\GTG-A#

DATE/時間 05-20-12

**JAWDropper**  
Innovation Channel Co.,Ltd.

TITLE/品名

MMCX STR PCB PLUG

DRAWING NO./圖號

MMCX1251C3-GTG-50

REV

A

CUSTOMER NO./客戶編號

REV