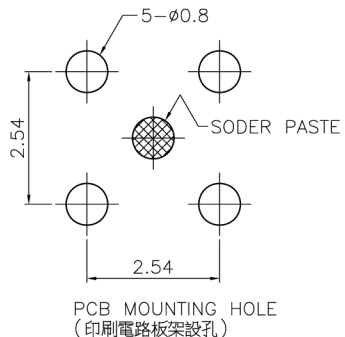
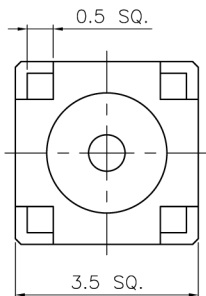
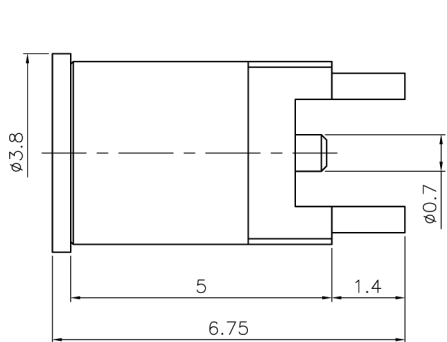


REVISIONS		
ISS	ZONE	DESCRIPTION\PER REQUEST\DATE

注意事項  
1 包裝方式: 700/捲 TAPE REEL



TYPICAL SPECIFICATIONS

- 1.0. ELECTRICAL
  - 1.1. FREQUENCY RANGE: DC-6 GHz
  - 1.2. NOMINAL IMPEDANCE: 50 OHM
  - 1.3. WORKING VOLTAGE: 170 VOLTS MAX.
  - 1.4. PROOF VOLTAGE: 500 VOLTS
- 2.0. MATERIALS
  - 2.1. BODIES: BRASS PER JIS-C3604
  - 2.2. CENTER CONTACT: BERYLLIUM COPPER PER ASTM B196 UNS C17300
  - 2.3. INSULATION: PTFE PER ASTM D1457 AND ASTM D1710
- 3.0. ENVIRONMENTAL
  - 3.1. OPERATING TEMPERATURE RANGE: -55° C TO +155° C

4	COVER	PTFE	WHITE	1	CV-38X2T
3	CONTACT PIN	BE CU	GOLD	1	MMCX6251C4-3BEG
2	INSULATOR	PTFE	WHITE	1	MMCX6251A1-2T-50
1	BODY	BRASS	GOLD	1	MMCX6251C3-1G
NO.	DESCRIPTION	MATERIAL	FINISH	Q'TY	DRAWING NO.

DIMENSIONS ARE IN MILLIMETERS	
UNLESS OTHERWISE SPECIFIED TOLERANCES	
ANGLES	= ±3°
UP TO 6	= ±0.1
6-40	= ±0.2
40-120	= ±0.6
120-315	= ±1
ABOVE 315	= ±1.6
SCALE/比例	10/1
DATE/時間	05-20-12

APPROVED/核准	MARK
CHECKED/檢查	MARK
DRAWN/繪圖	MARK
FILE NO. F:\CAD\MMCX\6251C3\50\GTG-A#	

<b>JAW Dropper</b> Innovation Channel Co., Ltd.	
TITLE/品名 MMCX STR SMT JACK	
DRAWING NO./圖號 MMCX6251C3-GTG-50	REV A
CUSTOMER NO./客戶編號	REV