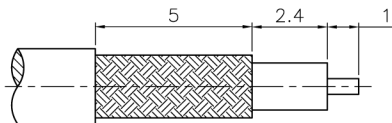


REVISIONS

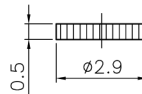
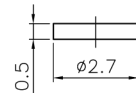
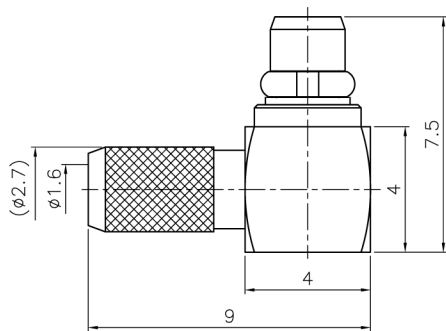
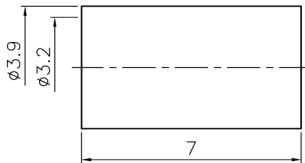
DESCRIPTION\PER REQUEST\DATE

注意事項

1 包裝方式: 1000/包



RECOMMENDED
CABLE STRIPPING DIM'S
(建議剝線尺寸)



1. CRIMPED FERRULE
HEX. CRIMP SIZE .128"
2. CONTACT PIN TO SOLDER

TYPICAL SPECIFICATIONS

1.0. ELECTRICAL

- 1.1. FREQUENCY RANGE: DC-6 GHz
- 1.2. NOMINAL IMPEDANCE: 50 OHM
- 1.3. WORKING VOLTAGE: 170 VOLTS MAX.
- 1.4. PROOF VOLTAGE: 500 VOLTS
- 1.5. VSWR: 1.3 MAX. @ 3 GHz

2.0. MATERIALS

- 2.1. BODIES: BRASS PER JIS-C3604
- 2.2. CENTER CONTACT: BRASS PER JIS-C3604
- 2.3. INSULATION: PTFE PER ASTM D1457 AND ASTM D1710
- 2.4. FERRULE: BRASS PER JIS-C2700
- 2.5. RING: BERYLLIUM COPPER PER ASTM B196 UNS C17200

3.0. ENVIRONMENTAL

- 3.1. OPERATING TEMPERATURE RANGE: -55° C TO +155° C

8	FERRULE	BRASS	GOLD	1	FR-39/32X7G
7	COVER	BRASS	GOLD	1	CV-29X05G
6	INSULATOR	POM	NATURAL	1	NS-27X05D
5	CONTACT PIN	BRASS	GOLD	1	MMCX1122B1-5-12/07G
4	RING	BE CU	GOLD	1	MMCX1121A1-4BEG
3	BODY	BRASS	GOLD	1	MMCX1122B1-3G
2	INSULATOR	PTFE	WHITE	1	MMCX1122A1-2T-50
1	BARREL	BRASS	GOLD	1	MMCX1122B1-1-27/16G
NO.	DESCRIPTION	MATERIAL	FINISH	Q'TY	DRAWING NO.

DIMENSIONS ARE IN MILLIMETERS

UNLESS OTHERWISE SPECIFIED
TOLERANCES

- ANGLES = ±3'
UP TO 6 = ±0.1
6-40 = ±0.2
40-120 = ±0.6
120-315 = ±1
ABOVE 315 = ±1.6

SCALE/比例 6/1

APPROVED/核准

MARK

CHECKED/檢查

MARK

DRAWN/繪圖

MARK

FILE NO. F:\CAD\MMCX\1122B1\50\GTG-316U-A#

DATE/時間 05-20-12

JAWD Dropper
Innovation Channel Co.,Ltd.

TITLE/品名 MMCX R/A PLUG
(RG-174/U,316/U,LMR-100)

DRAWING NO./圖號
MMCX1122B1-GTG-316U-50

CUSTOMER NO./客戶編號

REV A

REV